

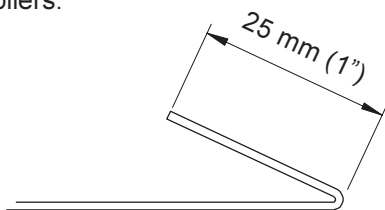
Installation guide

SS/BKT08

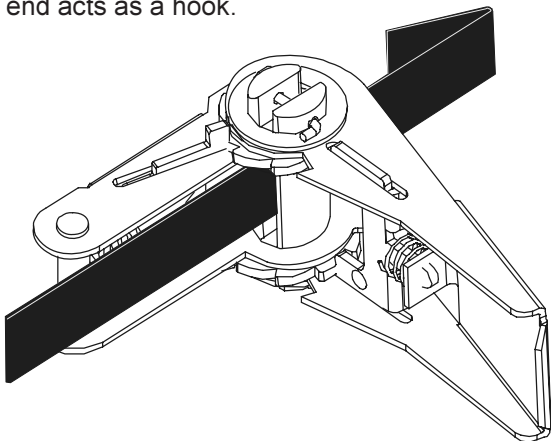


Accessories for use with this bracket (not included):
SS/STRAP/5M - 5m Individual Strapping Coil
SS/DISP100 - 100m Roll Strapping Dispenser Pack
AC2 1.75" V Bolts.

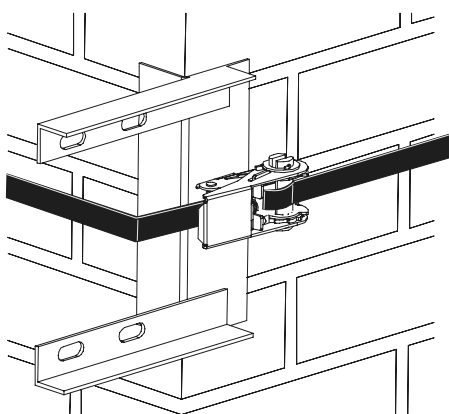
1. Fold back one end of strap as shown and pinch flat with pliers.



3. Feed folded end of strap through centre of ratchet spindle as shown. Pull strap back so that folded end acts as a hook.



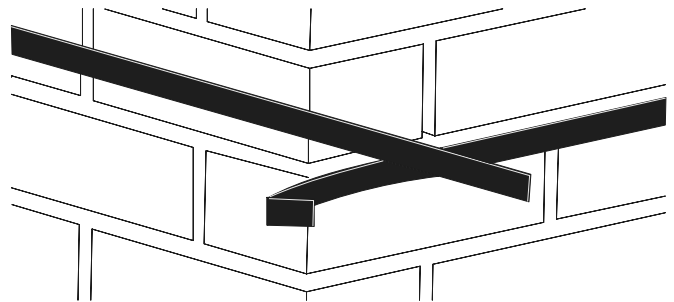
SS/BKT08



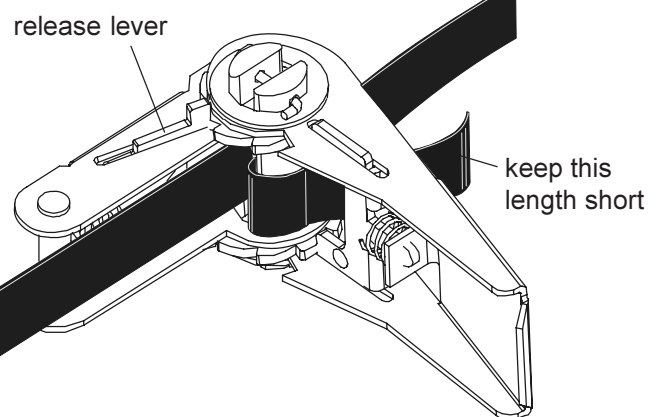
Further advice may be downloaded from:
www.blake-uk.com/downloads on the following:

- reception problems
- fitting coaxial connectors
- distributing TV signals around the home
- general recommendations

2. Pass strap around chimney and cut to size allowing a 10 cm (4") overlap on each end (this will be taken up when operating ratchet). To assist passing the strap around a larger chimney, pre-feed strap into a short section of 1.25" mast then using a 'fishing rod' action, encircle chimney. Pull off masting to leave strap in position.



4. Feed other end of strap through opposite side of ratchet spindle and fold back around ratchet spindle as shown. Operate ratchet lever to tighten strap securely. Ensure the strap stays horizontal around chimney while operating ratchet. For final tightening, position ratchet handle in open position as shown and push with the palm of the hand rather than pulling from the closed position. Fold lever flat when finished. If the strap needs to be loosened for re-positioning, the ratchet may be released by pulling back the spring loaded release lever in the handle.



Fit a suitable aerial mast to the bracket using V bolts. It may be necessary to use a cranked mast if the chimney has a stepped top (avoid positioning the aerial over the top of an operating chimney as heat and gas may affect performance over time).

Maximum recommended length of aerial - 1 metre; maximum recommended mast length - 5 ft (1.5 metre). For heavier installations use multiple products.

Do not install this product on a chimney which is in poor condition (loose or damaged, cracked or heavily weathered bricks). For stability do not use the top three courses of chimney brickwork.

Safety

Working at height – carry out work outdoors at height only if you are competent in the use of ladders and related access equipment. Always work safely within your own limitations, ensuring that all equipment used is appropriate and is in good condition.

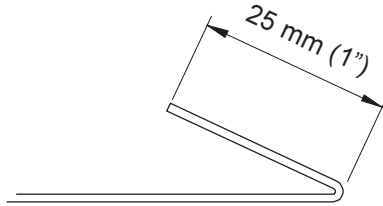
Installation guide

SS/BKT14

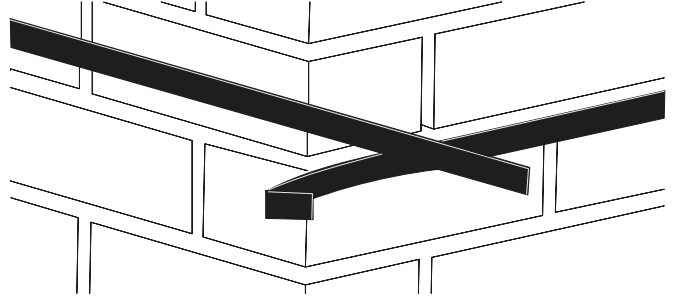


Accessories for use with this bracket (not included):
SS/STRAP/5M - 5m Individual Strapping Coil
SS/DISP100 - 100m Roll Strapping Dispenser Pack
AC2 1.75" V Bolts & **AC4** 2.5" V Bolts.

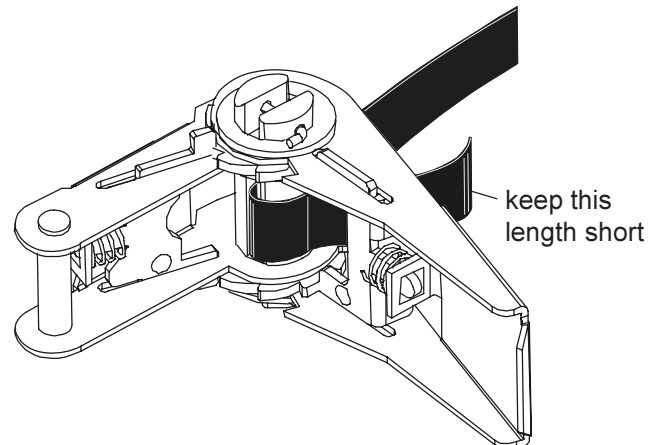
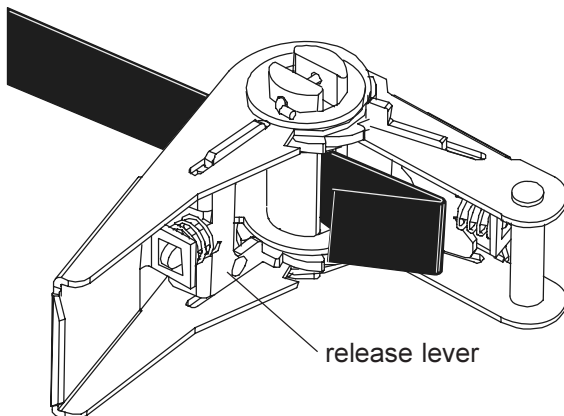
1. Fold back one end of strap as shown and pinch flat with pliers.



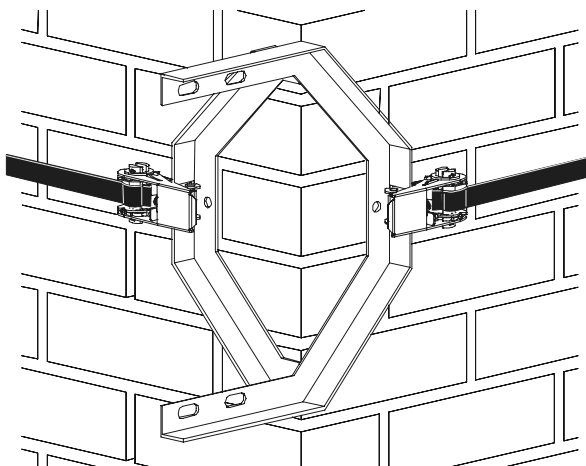
2. Pass strap around chimney and cut to size allowing a 10 cm (4") overlap on each end (this will be taken up when operating ratchets). To assist passing the strap around a larger chimney, pre-feed strap into a short section of 1.25" mast then using a 'fishing rod' action, encircle chimney. Pull off masting to leave strap in position.



3. Feed folded end of strap through centre of first ratchet spindle as shown. Pull strap back so that folded end acts as a hook. Feed other end of strap through centre of second ratchet spindle and fold back through lever as shown. Operate this ratchet to tighten. Remove any slack on the strap with the first ratchet. Tighten strap by operating both ratchets alternately ensuring that strap stays horizontal around chimney. For final tightening, position ratchet handle in open position as shown and push with the palm of the hand rather than pulling from the closed position. Fold levers flat when finished. If the strap needs to be loosened for re-positioning, the ratchets may be released by pulling back the spring loaded release levers in the handles.



SS/BKT14



Fit a suitable aerial mast to the bracket using V bolts. It may be necessary to use a cranked mast if the chimney has a stepped top (avoid positioning the aerial over the top of an operating chimney as heat and gas may affect performance over time).

Maximum recommended length of aerial - 2 metres; maximum recommended mast length - 10 ft (3 metres). For heavier installations use multiple products.

Do not install this product on a chimney which is in poor condition (loose or damaged, cracked or heavily weathered bricks). For stability, do not use the top three courses of chimney brickwork.

Further advice may be downloaded from:

www.blake-uk.com/downloads on the following:

- reception problems
- fitting coaxial connectors
- distributing TV signals around the home
- general recommendations

Safety

Working at height – carry out work outdoors at height only if you are competent in the use of ladders and related access equipment. Always work safely within your own limitations, ensuring that all equipment used is appropriate and is in good condition.