

*PRO*ception

HDMI MATRIX



User Manual



PROHDMIMX42 – 4x2 HDMI Matrix Switch

Thank you for purchasing a PROception 4x2 HDMI Matrix Switch. To ensure safety and correct operation, please read this manual carefully before using this product.

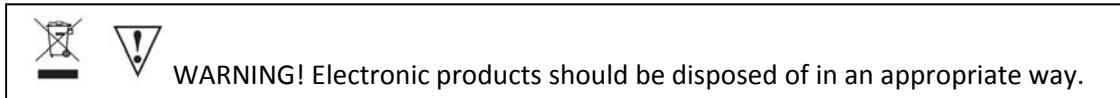
Box Contents:

1. 1x HDMI Matrix Switch
2. 1x 5V DC Power Supply
3. 1x Switching Remote Control
4. 1x User manual

Installation and Precautions

To avoid electric shock, product damage and to protect your safety, please observe the following:

- Ensure unit is powered off when installing or removing HDMI cables.
- Repeated installation / removal of HDMI cables may damage the unit.
- The unit should not be placed in direct sunlight, rain, damp or unventilated areas.
- Liquid items should not be placed near the unit.
- Do not install the unit near sources of heat.
- Do not insert metallic or conductive objects in the unit.
- Unit should be installed by a qualified professional.



Please note: Pictures and technical parameters in this manual are for reference only.

Product Description:

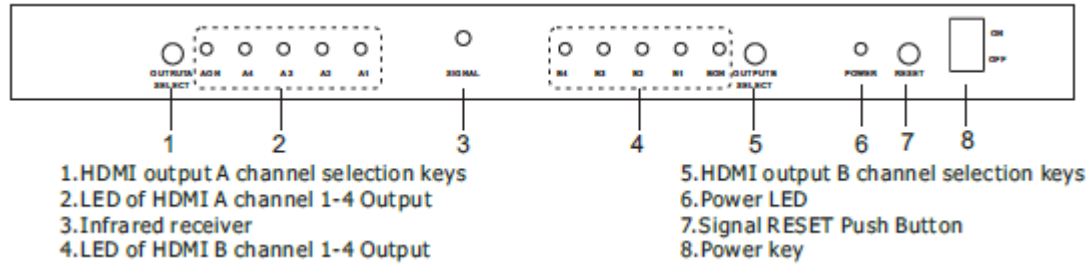
A HDMI Switch is used to switch multiple HDMI Inputs (eg. DVD Player, Set-Top Box, PC, etc) to one output such as a HDTV. Switching is supported by either the push button on the front of the device or by the included remote control.

Features

- Full HD 3D Support.
- Full HD 1080p Support.
- x.v.Colour (xvYCC) Support.
- dts-HD Audio Support.
- High Definition Content Protection (HDCP) V1.3.
- Consumer Electronics Control (CEC) Support.
- Resolution up to 1920*1200, including 720i, 720p, 1080i, 1080p.
- Compatible with DVI, using a HDMI to DVI adapter (sold separately).
- Compact design for space saving.
- Metal case for interference shielding.
- Remote control to change input.
- LED indicator to show port in use.

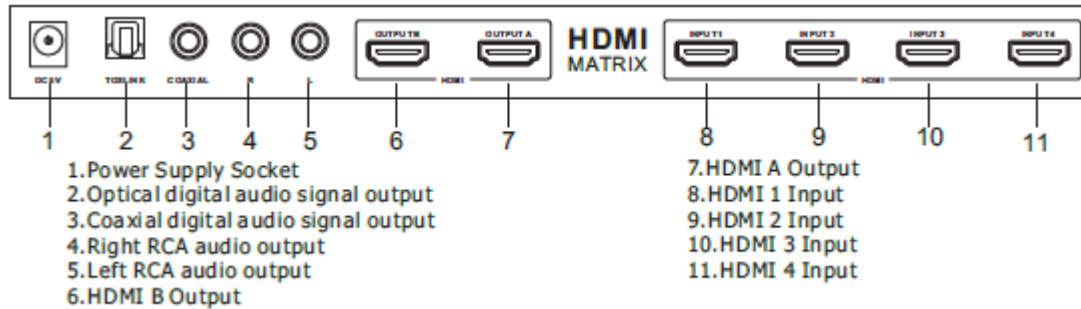
Connection Diagram:

Front panel:



Back panel:

1. Connect a HDMI output, such as a HDTV to the 'OUTPUT x' connection using a HDMI cable.
2. Connect one or more source devices to the 'INPUT x' connection using a HDMI cable.



3. Once all connections have been made, plug the power supply in to the wall socket to power the unit, then turn your devices on.

Technical Parameters:

Model	HDMI 4*2 MATRIX
Product	4 port HDMI matrix
Features	<ol style="list-style-type: none"> 1.HDMI Specification 1.4a Compliant, DVI Specification 1.0 Compliant 2.Integrated HDCP decryption/encryption engines which are compliant with HDCP Rev 1.3 specification 3.Wide Frequency Range: 25MHz - 340MHz 4.Supports 12-bit Deep Full HD 1080p, Full 3D and 4K2K video. 5.Supports Standard Audio, DSD Audio and HD (HBR) Audio 6.Supports conversion of HDMI signaling to DVI signaling
Hot plug	Plug and play
HDMI Source Input Port	4
Display Device Output Port	2
Source Port Connector	19 pin HDMI
Display Device Port Connector	19 pin HDMI
HDCP Compliant	HDCP1.3
Device Port LED	10
Single Link Range	4K2K
HDMI Version	1.4a
Bandwidth	25MHz- 340MHz
signal speed	Up to 3.4Ghz
The length of input cable	Ps3 ≤ 10M; BLUE DVD ≤ 10M.
The length of output cable	≤ 10M
The cable standard	28AWG HDMI 1.4
Vertical Frequency Range	60Hz
Operation Temperature	0°C to 70°C
Operation Humidity	10% to 85% RH (no condensation)
Storage Temperature	-10°C to +80°C
Storage Humidity	5% to 90% RH (no condensation)
Working voltage	DC 5V
Power Adapter	5V 2A
New Weight	987g
Dimension: L*W*H(mm)	276*167*25.5mm (L*W*Hmm)

This manual is subject to change without prior notice.

Technical support: support@proception.co.uk or visit www.blake-uk.com.

© Blake UK 2014