

SPRO[®]**IP**

DHIPPTZ40/5XLR-D

4MP IP PTZ Camera with AI Technology

ACTIVE DETERRENCE 2.0

COLOUR NIGHT 2.0

SMART DUAL ILLUMINATION



STARLIGHT

PERIMETER PROTECTION

WDR

ONVIF



Key Features:

- 4 megapixel @ 30fps
- 2.7 -13.5mm (5x zoom)
- 355° pan rotation
- 0.1°/s–36° pan speed & 0.1°/s–25.8°/s tilt speed
- 300 presets
- Starlight technology
- AI PRO technology
- Tripwire & Intrusion
- Face detection
- Classification of human & vehicle
- SMD 3.0
- Red & Blue flash light / Alarm
- Full colour at night
- IR distance: up to 50m
- White light: up to 30m
- Speaker built-in
- Alarm tracking (Human Only)
- Alarm in: 1
- Alarm out: 1
- Audio: 1in/1out
- IP66 waterproof
- DC 12V 2A/POE PLUS

SPECIFICATIONS

Model Number	DHIPPTZ40/5XLR-D
Image Sensor	1/2.8" CMOS
Pixel	4 MP
Max. Resolution	2560 (H) × 1440 (V)
ROM	128 MB
RAM	512 MB

(continued)

Scanning System	Progressive
Electronic Shutter Speed	1/1 s–1/30,000 s
Min. Illumination	Colour: 0.005 lux@F1.6 B/W: 0.0005 lux@F1.6 0 lux (IR light on)
Illumination Distance	50 m (164.04 ft) (IR) 30 m (98.43 ft) (Warm light)
Illuminator On/Off Control	Zoom Prio; Manual; Auto; Off
Illuminator Number	2 (IR) 2 (Warm light) 1 (Red light) 1 (Blue light)

Lens

Lens Type	2.7 mm–13.5 mm
Max. Aperture	F1.6–F3.0
Field of View	H: 94.9°–30.1°; V: 51°–17.1°; D: 112.3°–34.6°
Optical Zoom	5x
Focus Control	Auto; semi-auto; manual
Close Focus Distance	1.5 m (4.92 ft)
Iris Control	Fixed
DORI Distance	Detect: 270 m (885.83 ft) Observe: 106.6 m (349.74 ft) Recognise: 54 m (117.17 ft) Identify: 27 m (88.58 ft)

PTZ

Pan/Tilt Range	Pan: 0° to 355° Tilt: –15° to +90°
Manual Control Speed	Pan: 0.1°/s–36°/s Tilt: 0.1°/s–25.8°/s
Preset Speed	Pan: 35.7°/s; Tilt: 27.1°/s
Preset	300
Power-off Memory	Yes
Idle Motion	Preset

Intelligence

IVS (Perimeter Protection)	Tripwire; intrusion; crossing fence detection; loitering detection; abandoned/missing object; fast moving; parking detection; people gathering; vehicle/human alarm classification; linkage tracking
Face Detection	Supports face detection, snapshot, and face enhancement; Supports face cutout: Face, one-inch photo; Capturing strategies include real-time capturing and quality first
Auto Tracking Lite	Yes
SMD	Yes

Active Deterrence

Light Warning	Red and blue light warning Flash duration: 5 s–30 s Flash frequency: high, medium, low
Sound Warning	Offers 11 types of sound alarms, and supports importing up to 10 custom sound alarms. The sound alarm can be set to play 1 to 10 times

Video

Video Compression	H.264H;H.264B;Smart H.265+; H.264;H.265;MJPEG(Sub Stream); Smart H.264+
Streaming Capability	3 streams
Resolution	4M (2560 × 1440); 3M (2304 × 1296); 1080p (1920 × 1080); 1.3M (1280 × 960); 720p(1280 × 720); D1 (704 × 576); VGA (640 × 480); CIF (352 × 288)
Video Frame Rate	Main stream: 4M/3M/1080p/1.3M/720p @(1–25/30 fps) Sub stream 1: D1/CIF/VGA@ (1–25/30 fps) Sub stream 2: 720p @(1–25/30 fps)
Bit Rate Control	CBR/VBR
Video Bit Rate	H.264: 96 kbps–14848 kbps H.265: 38 kbps–8960 kbps
Day/Night	Auto(ICR) / Colour / B/W
BLC	Yes
WDR	120 dB
HLC	Yes

(continued)

White Balance	H.265; H.264; H.264H; H.264B; MJPEG (Only supported by the sub stream)
Gain Control	Auto; Manual
Noise Reduction	2D NR; 3D NR
Motion Detection	Yes
Region of Interest (RoI)	Yes
Image Stabilisation	Electronic (EIS)
Defog	Electronic
Digital Zoom	16x
Image Rotation	180°
S/N Ratio	≥55 dB

Audio

Audio Compression G.711a; G.711Mu; G.726; MPEG2-Layer2; G722.1; PCM

Network

Network Port RJ-45 (10/100 Base-T)

Network Protocol FTP;RTMP;IPv6;Bonjour;IPv4;DNS;RTCP;PPPoE;NTP;RT P;802.1x;HTTPS; SNMP;TCP/IP;DDNS;UPnP;NFS;ICMP;UDP;IGMP;SMB;HTTP;SSL;DHCP; SMTP;Qos;RTSP;ARP

Interoperability CGI;SDK;ONVIF (Profile S&G&T);P2P

Streaming Method Unicast / Multicast

User/Host 20 (total bandwidth: 64 M)

Storage FTP / SFTP; Micro SD card (512 GB); NAS

Browser IE 9 and later versions
Chrome 41 and later versions
Firefox 50 and later versions
Safari 10 and later versions

Management Software DMSS

Mobile Client iOS; Android

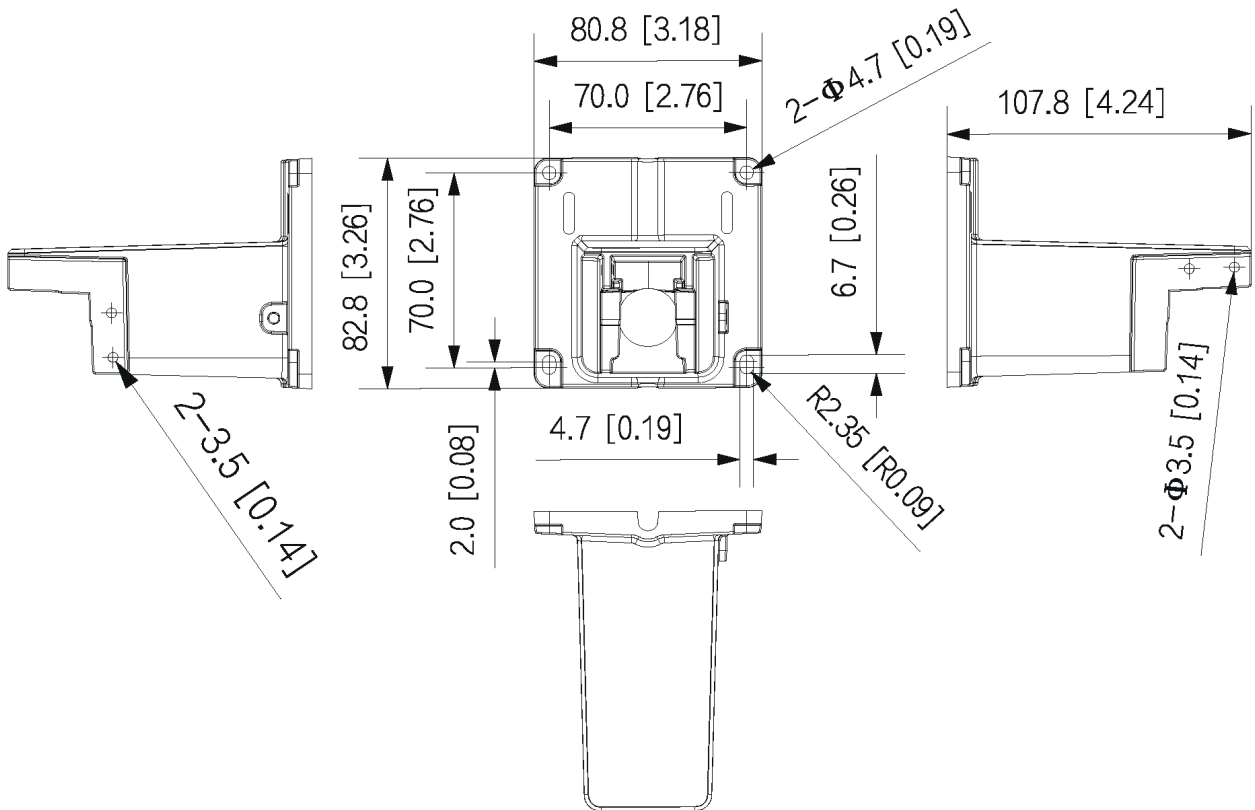
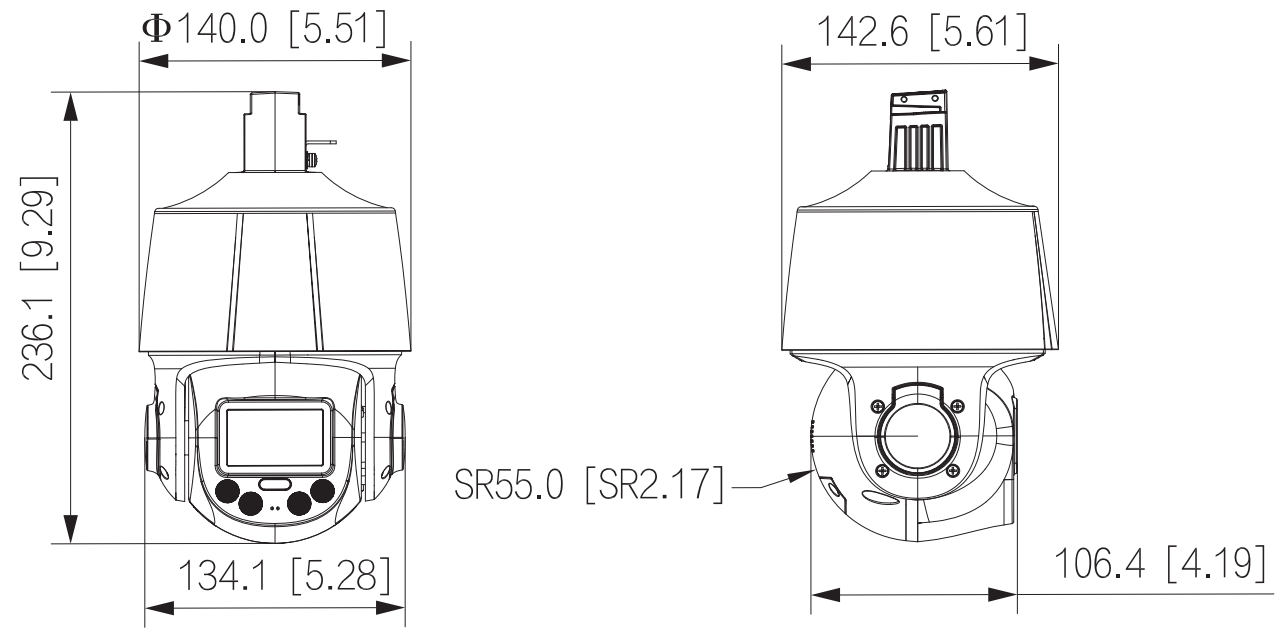
Certification

Certifications CE: EN55032/EN55024/EN50130-4 FCC: Part15 subpartB, ANSI C63.4-2014

(continued)

Port	
Audio Input	1 channel (LINE IN, bare wire,built-in mic (mutually exclusive))
Audio Output	1 channel (LINE OUT,bare wire;built-in speaker (mutually exclusive))
Alarm Linkage	Capture; recording; send email; preset; alarm digital input; audio; warning light
Alarm Event	Motion/tampering detection; audio detection; network disconnection detection; IP conflict detection; memory card state detection; memory space detection
Alarm I/O	1/1
Audio I/O	1/1
Power	
Power Supply	12 VDC, 2 A ± 10% PoE+ (802.3at)
Power Consumption	Basic: 4.5 W Max.: 15 W (illuminator + PTZ + speaker + heating glass)
Environment	
Operating Temperature	-30 °C to +60 °C (-22 °F to +140 °F)
Operating Humidity	≤95%
Protection	IP66, TVS 6000 V lightning proof; surge protection; voltage transient protection
Structure	
Product Dimensions	142.6 mm × 140 mm × 236.1 mm (5.61" × 5.51" × 9.29")
net Weight	1.5 kg (3.31 lb)
Gross Weight	2.1 kg (4.63 lb)

Dimensions (mm[inch])



All specifications are subject to change without notice. Copyright © Luxrite Ltd. All rights reserved