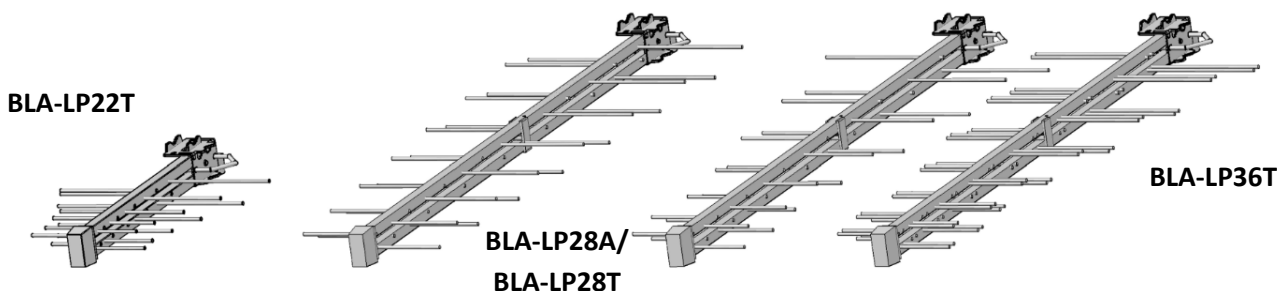


Assembly Instructions

BLA-LP22T
BLA-LP28A
BLA-LP28T
BLA-LP36T



Log Periodic Aerials



Features:

- Compact LOG-periodic directional TV aerial ideal for lofts or areas with limited space.
- Group T aerials are 4G/LTE ready digital aerial specially developed to reduce bandwidth without using LTE filters.
- Pre-assembled with F female connector for coaxial cable connection.
- Molded F connector in weather resistant rubber housing.
- Simply twist the F connector into position for either H or V polarity with no need for any disassembly.
- Group T has a very flat frequency response only (21-60 Ch.)
- Highly durable.
- Universal bracket for installation suitable for vertical or horizontal polarization.

Technical Information:

Model	BLA-LP22T	BLA-LP28T	BLA-LP36T	BLA-LP28A
Channel bandwidth	470-790 MHz (Ch.21-60)			470-606 MHz (Ch.21-37)
No. of elements	20	28	36	28
Impedance	75 Ω			
Antenna gain Max.	9 dBi	10 dBi	12.5 dBi	11.2 dBi
Front-to-back ratio	> 22 dB			
Beam width H/V	60° / 80°			
Size (packed)	450 mm	1090 mm	1300 mm	1090 mm



Assembly Instructions

BLA-LP22T

BLA-LP28A

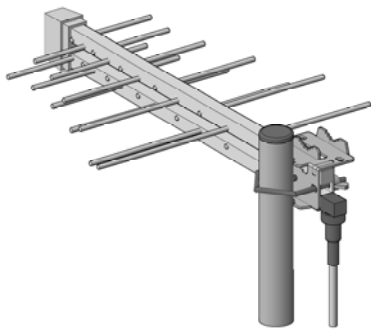
BLA-LP28T

BLA-LP36T

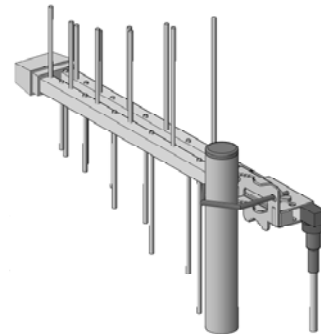


1. Positioning the aerial

- 1) Choose horizontal or vertical polarization to suit the local transmitter.
- 2) Point the aerial towards the transmitter. (If in doubt look for neighboring aerials).
- 3) Connect the lead to the aerial and slide grommet over connector to ensure water-tight joint.



Aerial adjusted for horizontally polarised transmission

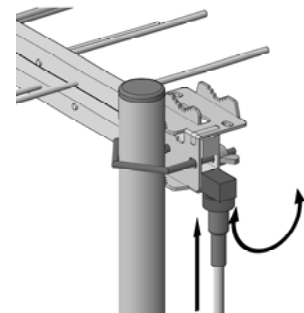


Aerial adjusted for vertically polarised transmission

2. Mount the aerial

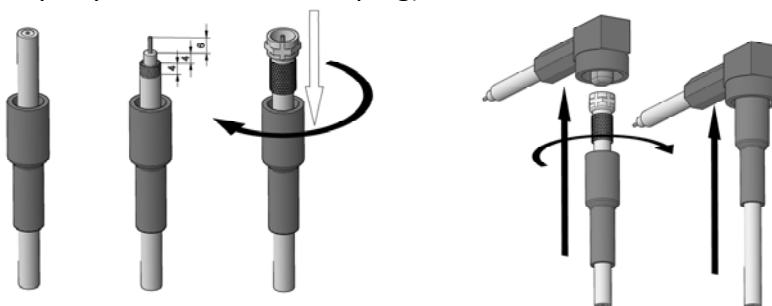
Fix the aerial to a suitable mast using the clamp assembly as shown. Check that all fixings are tight.

The diagram shows the aerial positioned for horizontal polarisation. For vertical polarisation turn the aerial 90° from the position shown. The aerial will provide good reception in most locations when mounted in a clear outdoor position however reception in weaker signal areas may require the use of a higher gain aerial and/or a taller mast.



3. Connecting the aerial

Prepare the cable end and fit the screw-on 'F-Type' plug as shown. (The inner wire of the cable should extend slightly beyond the end of the plug).



Further advice may be downloaded from: www.blake-uk.com/downloads on:

- Reception problems
- distributing TV signals around the home
- general recommendations.

Digital UK Coverage checker <http://www.digitaluk.co.uk/> (select detailed view box).

BBC Reception Advice 08700 100123, e-mail reception@bbc.co.uk, web: www.bbc.co.uk/reception

<https://www.facebook.com/blakeukltd> <https://twitter.com/blakesaerials> PD2011-8036-01

