

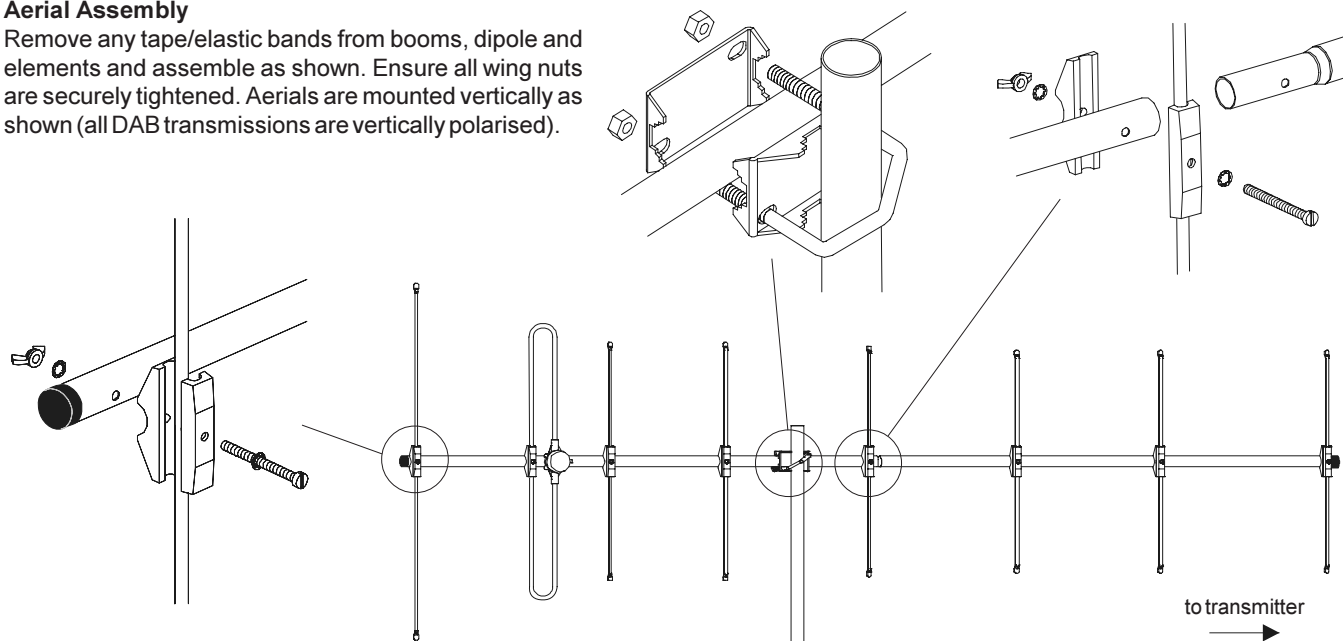
# Assembly and fitting guide

## ABM8



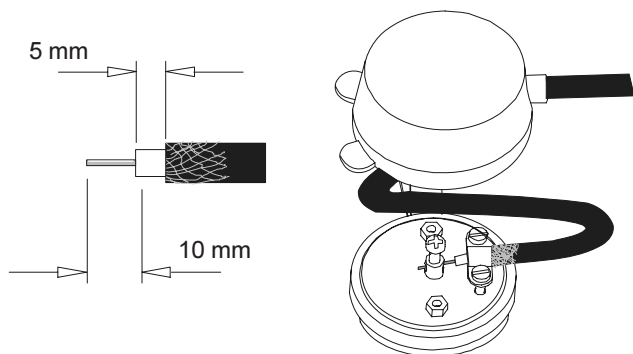
### Aerial Assembly

Remove any tape/elastic bands from booms, dipole and elements and assemble as shown. Ensure all wing nuts are securely tightened. Aerials are mounted vertically as shown (all DAB transmissions are vertically polarised).



### Fit coaxial cable

Use good quality double screened coaxial cable (sometimes known as satellite cable). Remove cover from terminal box and push cable through aperture. Do not enlarge hole as this may allow water ingress. Trim off approximately 15 mm of the outer cable sheath with a craft knife or similar to expose braid (and foil if double screened). Fold braid back over sheath (cut away foil flush to outer sheath) to expose plastic dielectric. Cut away dielectric to leave 10 mm of the centre copper wire exposed. Loosen clamp screws, slide cable under clamp and push centre wire through hole in terminal post. Braid should be positioned underneath clamp but not beyond it. Tighten braid clamp screws before tightening the centre conductor screw (do not over-tighten). Ease cap down cable and fit securely onto terminal box.



### Reception hints

In areas classed as having DAB service this aerial will frequently give satisfactory results when mounted in a reasonably clear position in a roof space. In weak-signal, 'fringe' or non-served areas, outdoor mounting in a clear high position may be necessary. This aerial is directional and should be pointed towards the appropriate DAB transmitter(s). You may need to experiment with the aerial positioning and pointing direction to obtain satisfactory reception of all services of interest (in some areas BBC, commercial and local services are not all transmitted from the same site). Try to avoid pointing the aerial through any metal work or nearby building structures.

This aerial is suitable for direct connection to the antenna socket of any DAB portable radio or tuner. With the majority of portables the internal aerial must be disconnected first. The aerial may be used in conjunction with a signal distribution amplifier having a suitable input, or with a passive splitter, to feed multiple outlet points.

Further advice may be downloaded from:  
[www.blake-uk.com/downloads](http://www.blake-uk.com/downloads) on the following:

- reception problems
- fitting coaxial connectors
- general recommendations

### Reception Advice Services

BBC Reception Advice 08700 100123

e-mail: [reception@bbc.co.uk](mailto:reception@bbc.co.uk)

web: [www.bbc.co.uk/reception](http://www.bbc.co.uk/reception)

Ofcom Engineering Information

web: [www.ofcom.org.uk/static/reception\\_advice/index.asp](http://www.ofcom.org.uk/static/reception_advice/index.asp)

**Safety : Working at height – carry out work outdoors at height only if you are competent in the use of ladders and related access equipment. Always work safely within your own limitations, ensuring that all equipment used is appropriate and is in good condition.**

Product reference	Description	Number of elements	Frequency (MHz)	Forward gain (dB)	Front to back ratio (dB)	Acceptance angle (degrees)	Approximate length (m)
ABM8	8 element folded dipole Yagi	8	175-230	9.5	19	24	2.4