

Fitting guide

Tile and Slate Clamp TSC & Global Security Interface TSC/GSI (sold separately)

Tile & Slate Clamp TSC

This clamp kit offers a quick and simple alternative to traditional wall brackets and chimney lashings. It provides a simple and effective way to mount lightweight VHF & UHF TV and radio aerials, security lights and cameras, etc. on a pitched roof. The Tile and Slate Clamp is particularly useful on buildings with no chimney stack and a hipped roof (no gables) where it allows an aerial to be mounted at ridge height without the need for a long mast supported from wall brackets.

Features and benefits

- Can be fitted close to the ridge for maximum aerial height.
- Adjustable to suit any roof pitch angle.
- Easy to re-position on roof – may be helpful in difficult reception areas.
- Unobtrusive – particularly in comparison with long masts and wall brackets.
- Can be fitted without use of ladders or scaffolding (working through an adjacent Velux* window).
- Ideal for temporary installations – can be removed without leaving damage.

*Velux is a registered trade mark of VKR Holdings A/S, Denmark.

Installation

Please read the safety instructions below before installing this product. Install only on a roof which is in good condition.

Safety Instructions

WORKING AT HEIGHTS – Do not undertake work at height unless you are competent in the use of ladders and access equipment. Always use the correct equipment and observe appropriate safety precautions.

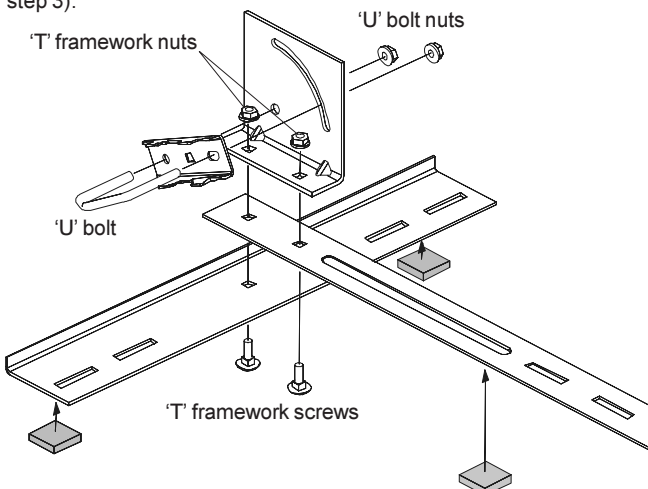
ROOF CONDITION – Do not install this product on a roof which is in poor condition. Roofs with an excessive number of cracked or slipped tiles or slates should be regarded as unsuitable.

MAST – Do not use a mast longer than the one supplied in the kit. Doing so could place excessive stress on the roof covering and may cause damage.

LOADING – This product is intended to support light-weight items only, such as Yagi or log-periodic UHF TV aerials with an overall length of up to about one metre, or simple half-wave dipole VHF aerials. The product is not suitable for supporting large 'high-gain' aerials (these can impose a high wind loading which may lead to damage to the roof covering).

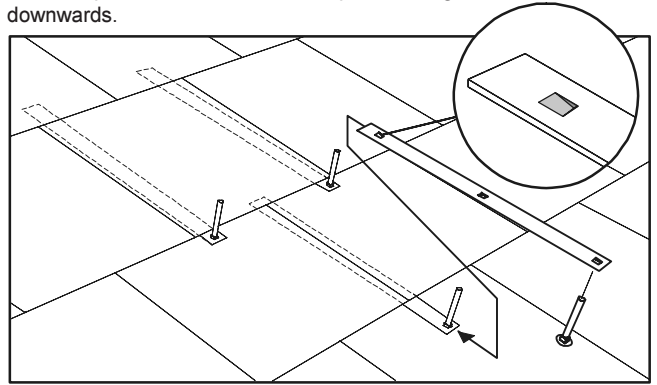
1. Assemble the superstructure

Assemble the clamp superstructure as shown. Tighten the nuts holding the main 'T' framework together. The U-bolt nuts are tightened at a later stage. On roofs with profiled tiles the self-adhesive pads should be positioned at appropriate 'pressure points' and are best fitted later (see step 3).



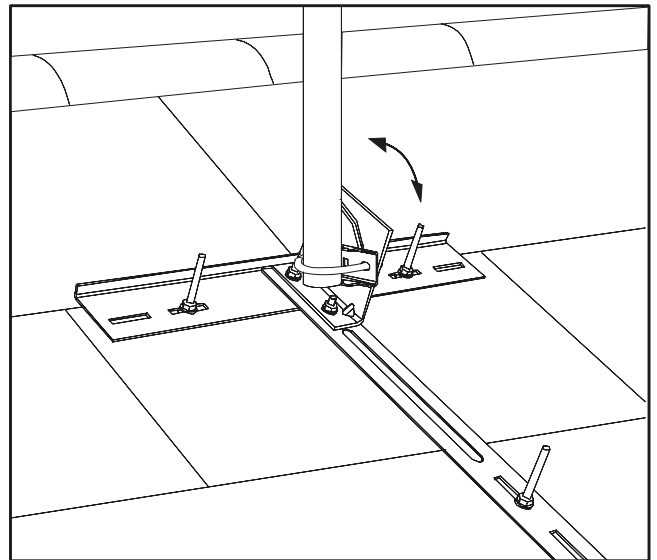
2. Position galvanised strips

Insert the three long screws into the galvanised strips and slide into position under the roof covering as shown. Note the correct orientation of the strips, with the 'claw' at the top and facing downwards.



3. Complete Installation

Offer up the superstructure and adjust the positioning of the strips to fit. The strips and framework have a variety of holes and slots, allowing adjustment to suit most types of roof covering. On profiled tile coverings arrange the two screw positions for the superstructure cross-member to be near high points of the tiles, to reduce the risk of cracking the tiles when tightening the nuts. Fit the self-adhesive pads in appropriate positions. When everything is correctly positioned, fit and tighten the three superstructure retaining nuts. **Do not overtighten the nuts as this may crack the roof covering.** On completion of this step the superstructure framework should be firmly attached to the roof. Insert the stub mast into the clamp and, after adjusting the mast to a vertical position, tighten the U-bolt clamp nuts. Complete the installation by mounting, wiring and adjusting the aerial or other device to be supported.

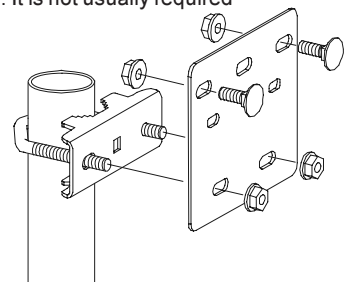


Global Security Interface TSC/GSI (sold separately).

The interface is used to mount a camera or security light, etc. onto the mast of the Tile and Slate clamp. It is not usually required when mounting an aerial.

Fit the Interface

Assemble and mount the auxiliary plate and clamp as shown. The plate can be drilled or adapted as required.



Further advice may be downloaded from www.blake-uk.com/downloads on the following:

- reception problems
- fitting coaxial connectors
- distributing TV signals around the home
- general recommendations