

# Assembly and fitting guide

## SSB Self Supporting Bracket



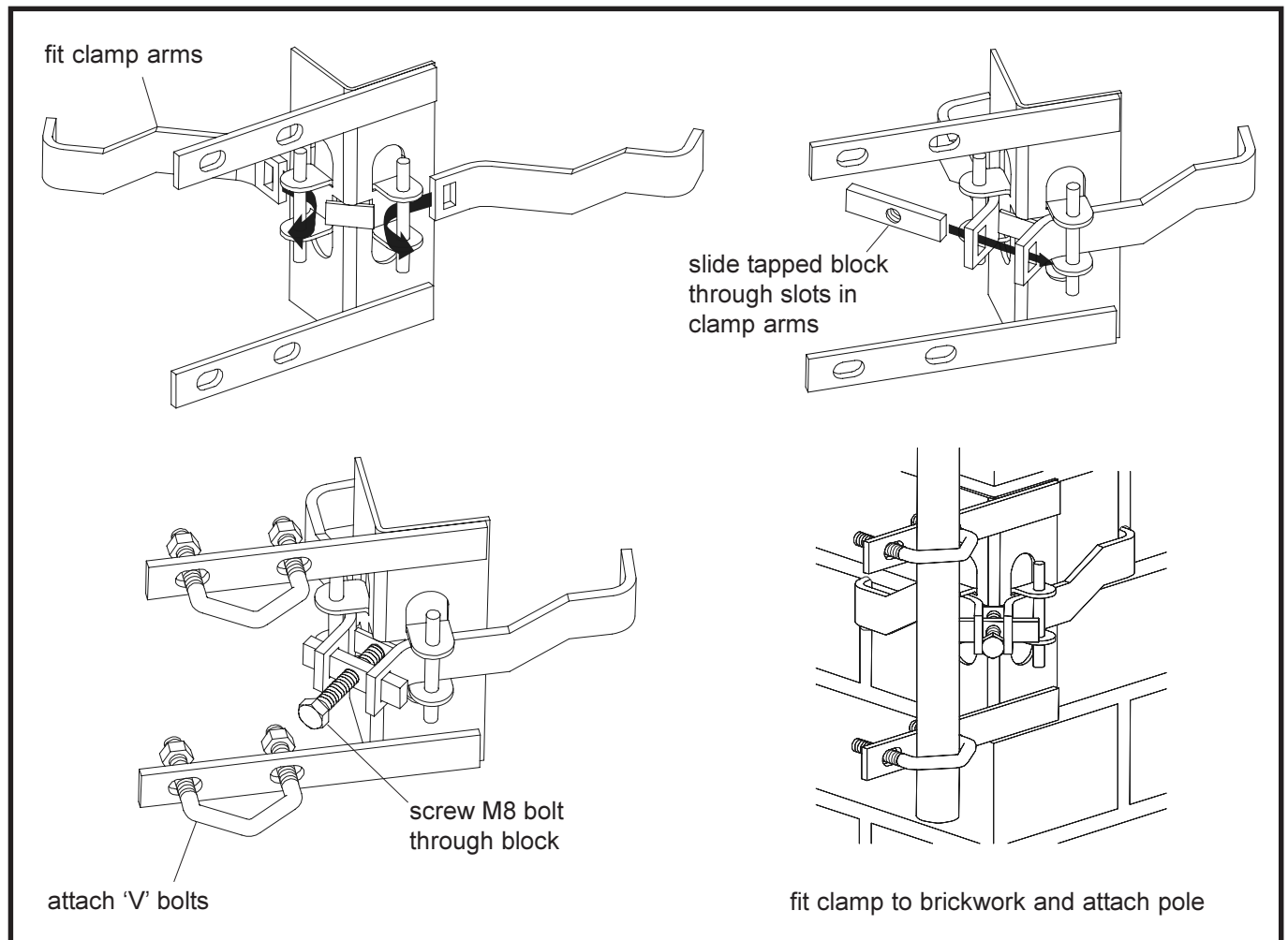
The SSB Self Supporting Bracket can be fitted to any 90° corner of a chimney or wall using only a 13 mm spanner and a chisel/screwdriver. Larger installations may require the use of two brackets.

### Assembling the bracket.

Position the two clamp arms behind the hinge pins on the bracket as shown. Slide the tapped block through the rectangular slots in the clamp arms and screw in the M8 hexagon head bolt. Attach the two 'V' bolts.

### Fitting

Ensure that both brickwork and mortar are in good condition. Do not fix a bracket any closer than 300 mm (12" or four courses of brickwork) to the top of a wall or chimney. Use the mortar course for mounting. Chip away two suitable depressions in the mortar with a chisel or screwdriver for the ends of the clamp arms. Locate bracket as shown and screw down M8 hexagon head bolt to lock assembly in position.



Further advice may be downloaded from [www.blake-uk.com/downloads](http://www.blake-uk.com/downloads) on the following:

- reception problems
- fitting coaxial connectors
- distributing TV signals around the home
- general recommendations

### Safety

**Working at height - carry out work outdoors at height only if you are competent in the use of ladders and related access equipment. Always work safely within your own limitations, ensuring that all equipment used is appropriate and is in good condition.**