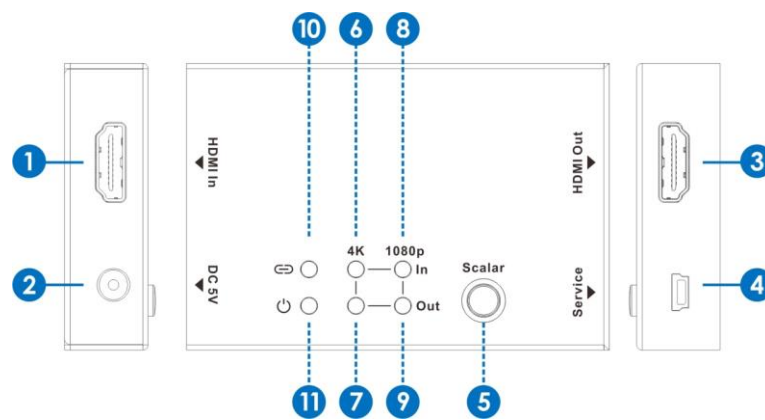


The HDMI scaler up or down scales the resolution as required. It also acts as a HDMI repeater. Both HDMI input and output support video resolution up to 4K2K@60Hz (YUV444) and HDMI high resolution digital audio formats bypass, LPCM 2CH, Dolby TrueHD, Dolby Digital Plus, Dolby Atmos and DTS-HD Master Audio, audio sampling rate up to 192KHz. HDCP 2.2 and CEC bypass supported.

Kit Contents:

- 4K/1080p Up & Down scaler.
- 5V DC power supply.
- User manual.



1: HDMI input.

2: DC-5V: 5V-1A.

3: HDMI output.

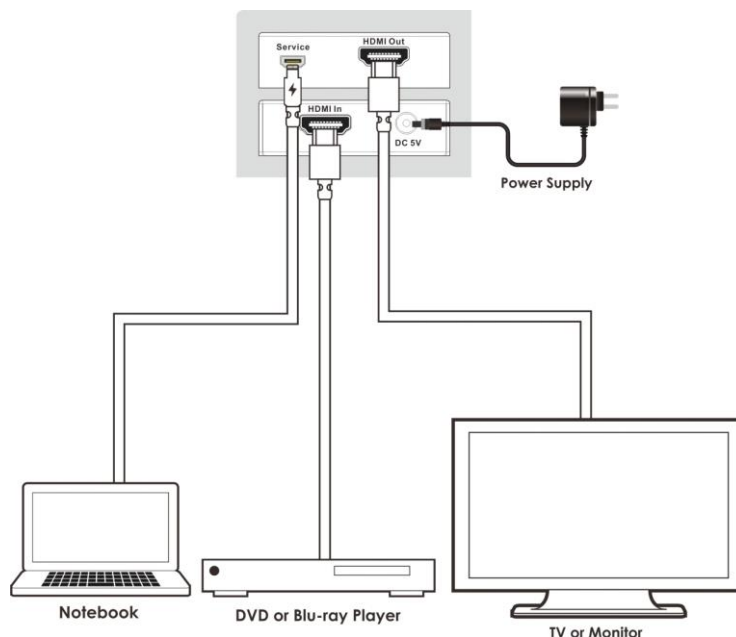
4: Firmware update port.

5: Select Button: scaling up/down between 4K and 1080p/pass through.

6-9: Scaler Indicators.

10: Signal input indicator.

11: Power input indicator.



Instructions:

Device is not "hot swappable" always disconnect power before inserting or removing any cable.

1. Connect the device to the scaler via HDMI.
2. Connect output to device (TV etc.) via HDMI.
3. Plug the scaler in using the power supply supplied.
4. Press the scaler button until the required setting is selected.

E.g. if the device from the input is 4K and the output to the television is 1080p ensure the lights are on IN:4K and OUT:1080p.

Features:

- HDMI 6G 20M Re-timer & Repeater with scaling.
- Amplifies and equalizes the HDMI signal to provide high quality audio and video.
- 20 meters HDMI high-speed cable extender (input max 10 meters, output max 10 meters at 4K2K@60Hz).
- 30 meters HDMI high-speed cable extender (input max 18 meters, output max 12 meters at 4K2K@30Hz).
- 40 meters HDMI high-speed cable extender (input max 25 meters, output max 15 meters at 1080p).
- Supports scaling up/down between 4K and 1080p (no frame rate conversion)
- HDCP 2.2 or HDCP 1.4 indicator.
- Dolby® TrueHD, DTS-HD Master Audio™, and LPCM digital audio streams up to 7.1 channels.
- HDCP/3D/CEC/Lip-Sync pass-through.

Specifications:

Technical	
HDMI Compliance	HDMI 2.0b
HDCP Compliance	HDCP 2.2 and HDCP 1.4
Video Bandwidth	18 Gbps
Video Resolutions	up to 4K2K@50/60Hz (YUV4:4:4),4K2K@30Hz,1080P@120Hz, and 1080P 3D@60Hz
Color Space	RGB, YCbCr 4:4:4, YCbCr 4:2:2
Color Depth	10-bit, 12-bit
HDMI Audio Formats (Pass-through)	LPCM 2/5.1/7.1CH, Dolby Digital, DTS 5.1, Dolby Digital+, Dolby TrueHD, DTS-HD Master Audio
ESD Protection	Human body model — ±8kV (air-gap discharge) & ±4kV (contact discharge)
Connections	
Inputs	1x HDMI Type A [19-pin female]
Outputs	1x HDMI Type A [19-pin female]
USB Connector	1x Mini-USB (firmware upgrade only)
DC POWER	5V-1A DC-JACK
Mechanical	
Power Supply	Input: AC100 - 240V 50/60Hz Output: DC 5V/1A (US/EU standards, CE/FCC/UL certified)
Power Consumption	3W(Max)
Operation Temperature	32 - 104°F / 0 - 40°C
Storage temperature	-4 - 140°F / -20 - 60°C
Relative Humidity	20 - 90% RH (no condensation)