

PROCATTESTER Cable Tester

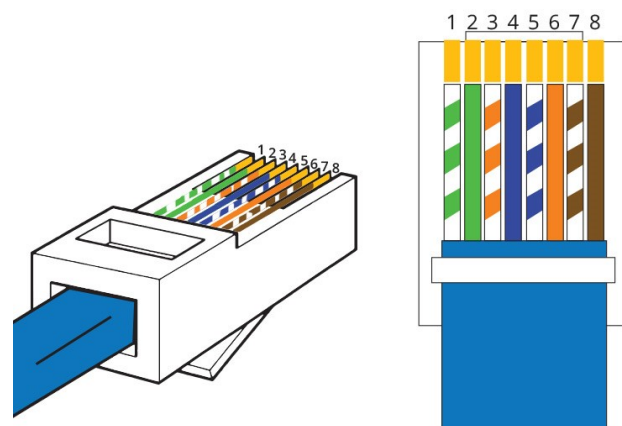


Instructions:

1. Insert a 9V PP3 (6LR6) battery (not supplied).
2. Switch on using yellow switch. Power light should come on.
3. Select speed of LED sequence: ON = low speed; S = faster speed, to suit your personal preference.
4. Plug one end of the cable under test (RJ11/RJ45) into the correct input on the top of the main tester housing.
5. Plug the other end into the correct input of the remote (note the remote can be detached from the main body by sliding up if required).
6. The LED's on both housings should now light up in sequence together. If they do not this is indicative of a problem:
 - No LED indicator means there is either a short or open circuit.
 - LED's that are out of sequence on main unit and remote means the wires are crossed.
 - Not all cables use the ground/Shield, so this LED may not light depending on cable.

WARNING: To avoid burning out the unit do not subject to voltages above 60V

Visit <https://tinyurl.com/cable-tester-tutorial> to see the cable tester video tutorial.



- | | |
|-----------------|----------------|
| 1. White Green | 5. White Blue |
| 2. Green | 6. Orange |
| 3. White Orange | 7. White Brown |
| 4. Blue | 8. Brown |

sales@blake-uk.com

www.blake-uk.com

0114 223 5000

PD2011-0159-08