

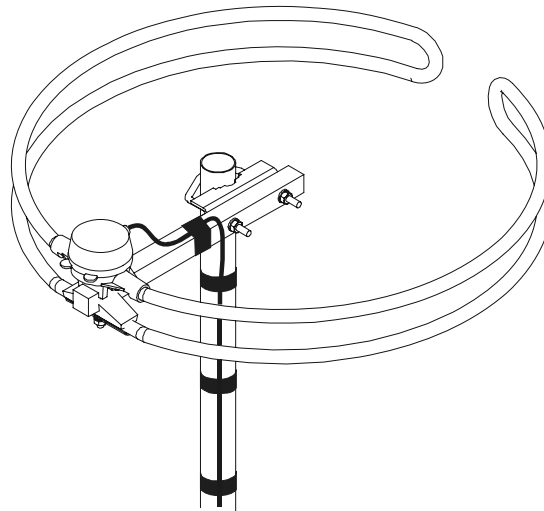
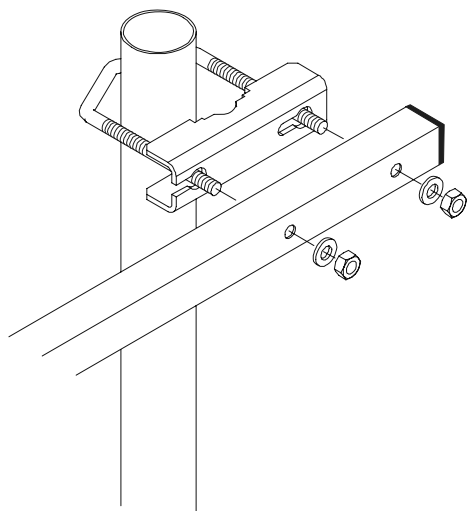
# Assembly and fitting guide

## FMO & FM1



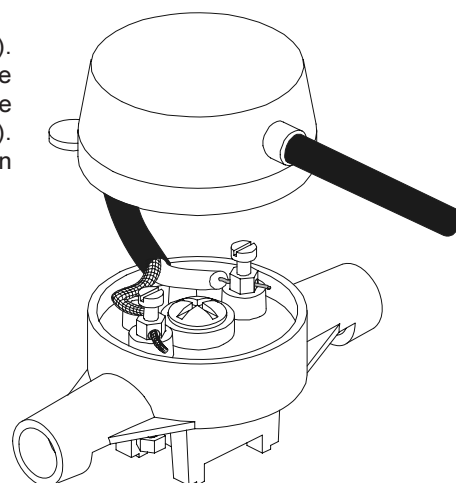
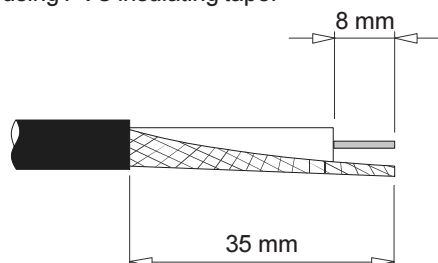
### Aerial Assemblies

Remove any tape/rubber bands from booms, dipoles and elements and assemble as indicated. Ensure all fixings are securely tightened.



### Fitting coaxial cable

Use good quality double screened coaxial cable (sometimes known as satellite cable). Remove cover from terminal box and push cable through cover aperture. Do not enlarge hole as this may allow water ingress. Prepare cable end as shown, the braid and centre wire can be connected to the terminals either way round (do not over-tighten terminal screws). Ease cap down cable and fit securely to terminal box. Tape cable along boom and down mast using PVC insulating tape.



### Reception hints FMO & FM1

In areas classed as having FM service this aerial will frequently give satisfactory results when mounted outdoors in a clear high position (ideally 1 metre above your roof and any other aerials). It may work adequately in a loft space in a strong signal area but signals may be degraded by loft insulation, roof tiles etc. This aerial is notionally omnidirectional but it may be beneficial to vary direction slightly for best results after mounting.

This aerial is for direct connection (or via a suitable wall outlet plate) to the antenna socket of any FM tuner or portable radio that has an appropriate antenna input socket fitted. A diplexer, such as the *PRO*ception proCOM21VU or proCOM31T, may be used to combine the FM signal with DAB and/or TV signals from other aerials. In strong signal areas a passive splitter, such as the *PRO*ception proMHS12P or proMHS14P, may be used to feed multiple outlet points.

The aerial can also be used with a suitable signal distribution amplifier from the *PRO*ception range. In some areas FM signals can be extremely strong and it is sometimes necessary to fit an attenuator on the VHF input of the amplifier to prevent signal overload, the effect of which is to degrade all signals passing through the amplifier.

**Safety : Working at height – carry out work outdoors at height only if you are competent in the use of ladders and related access equipment. Always work safely within your own limitations, ensuring that all equipment used is appropriate and is in good condition.**

Further advice may be downloaded from:  
[www.blake-uk.com/downloads](http://www.blake-uk.com/downloads) on the following:

- reception problems
- fitting coaxial connectors
- general recommendations

PD2011-8031-01

**Reception Advice Services**  
BBC Reception Advice 08700 100123  
e-mail: [reception@bbc.co.uk](mailto:reception@bbc.co.uk)  
web: [www.bbc.co.uk/reception](http://www.bbc.co.uk/reception)  
Ofcom – radio  
[www.ofcom.org.uk/radio](http://www.ofcom.org.uk/radio)

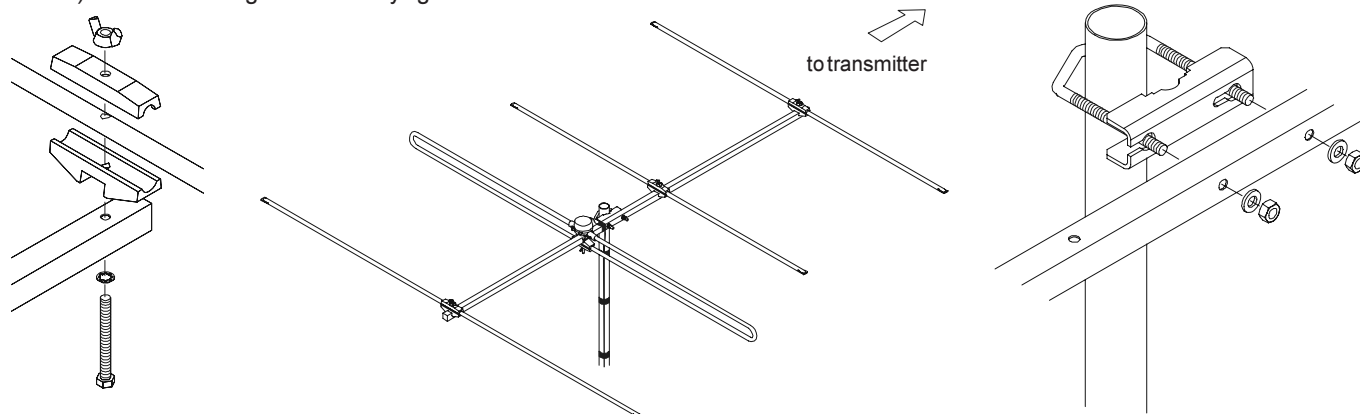
# Assembly and fitting guide

## FM3, FM4, FM6 & FM8



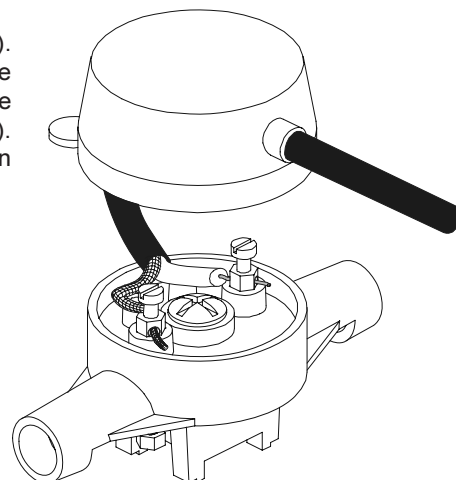
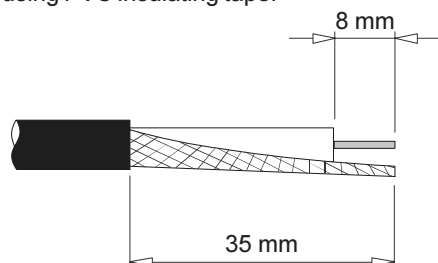
### Aerial Assemblies

Remove any tape/rubber bands from booms, dipoles and elements and assemble as shown (picture shows FM4 - FM3 and FM6 are similar). Ensure all fixings are securely tightened.



### Fitting coaxial cable

Use good quality double screened coaxial cable (sometimes known as satellite cable). Remove cover from terminal box and push cable through cover aperture. Do not enlarge hole as this may allow water ingress. Prepare cable end as shown, the braid and centre wire can be connected to the terminals either way round (do not over-tighten terminal screws). Ease cap down cable and fit securely to terminal box. Tape cable along boom and down mast using PVC insulating tape.



### Reception hints FM3, FM4, FM6 & FM8

In areas classed as having FM service these aerials should give satisfactory results when mounted outdoors in a clear high position (ideally 1.5 - 2 metres above your roof and any other aerials). The aerials are directional and should be pointed towards the appropriate FM transmitter. Normally mount the aerial horizontally as shown above, although (since most transmitters use mixed polarisation) it may be mounted vertically if more convenient e.g. when in a loft. Certain relay transmitters use vertical transmissions only, requiring vertical mounting. When mounting vertically on a metal mast it is necessary to use a side-arm to prevent the mast de-tuning the aerial. These aerials may work adequately in a loft space in a strong signal area but signals may be degraded by loft insulation, roof tiles etc. You may need to experiment with the aerial positioning and pointing direction to obtain satisfactory reception of all services of interest (in some areas BBC commercial and local services are not all transmitted from the same site). Try to avoid pointing the aerials through any metal work or nearby building structures.

These aerials are for direct connection (or via a suitable wall outlet plate) to the antenna socket of any FM tuner or portable radio that has an appropriate antenna input socket fitted. A diplexer, such as the PROception proCOM21VU or proCOM31T, may be used to combine the FM signal with DAB and/or TV signals from other aerials. In strong signal areas a passive splitter, such as the PROception proMHS12P or proMHS14P, may be used to feed multiple outlet points. These aerials can also be used with a suitable signal distribution amplifier from the PROception range. In some areas FM signals can be extremely strong and it is sometimes necessary to fit an attenuator on the VHF input of the amplifier to prevent signal overload, the effect of which is to degrade all signals passing through the amplifier.

**Safety : Working at height – carry out work outdoors at height only if you are competent in the use of ladders and related access equipment. Always work safely within your own limitations, ensuring that all equipment used is appropriate and is in good condition.**

Further advice may be downloaded from:  
[www.blake-uk.com/downloads](http://www.blake-uk.com/downloads) on the following:

- reception problems
- fitting coaxial connectors
- general recommendations

**Reception Advice Services**  
BBC Reception Advice 08700 100123  
e-mail: [reception@bbc.co.uk](mailto:reception@bbc.co.uk)  
web: [www.bbc.co.uk/reception](http://www.bbc.co.uk/reception)  
Ofcom – radio  
[www.ofcom.org.uk/radio](http://www.ofcom.org.uk/radio)