

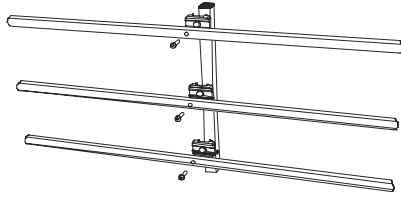
# Assembly and fitting guide XK05WB (CARAVAN)



## 1. Assemble aerial

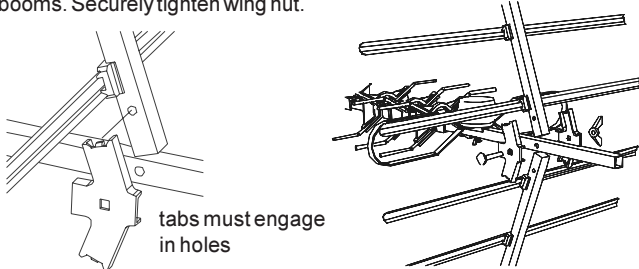
### Assemble reflector parts

Assemble the two reflector sections. Ensure reflector elements are securely fastened but do not over-tighten screws.



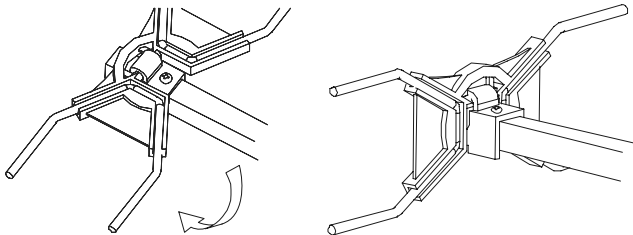
### Fit reflector sections to aerial boom

Loosen wing nut but do not remove. Insert both reflector sections as shown. Ensure locating lugs on clamps fit into mating holes in reflector booms. Securely tighten wing nut.



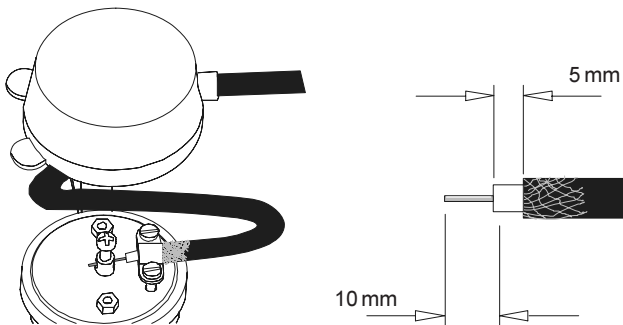
### Position elements

Rotate and snap the X-shaped director elements into a vertical position.



## 2. Fit coaxial cable

Remove cover from terminal box and push cable through aperture. Do not enlarge hole as this may allow water ingress. Trim off approximately 15 mm of the outer cable sheath with a craft knife or similar to expose braid (and foil if double screened). Fold braid back over sheath (cut away foil flush to outer sheath) to expose plastic dielectric. Cut away dielectric to leave 10 mm of the centre copper wire exposed. Loosen clamp screws, slide cable under clamp and push centre wire through hole in terminal post. Braid should be positioned underneath clamp but not beyond it. Do not over-tighten terminal screw. Tighten braid clamp screws, ease cap down cable and fit securely onto terminal box.



### Kit contents

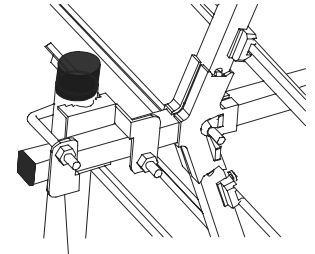
- 1 - Aerial boom with arrow plate.
- 1 - Dipole and cap.
- 2 - Reflector elements.
- 1 - Connector 'IEC'

- 1 - Mast clamp.
- 2 - Reflector boom assys.
- 1 - Connector F-type
- 10 m cable.

## 3. Assemble the aerial to a suitable mast

The diagram shows the aerial positioned for horizontal polarisation (see section 5). For vertical polarisation turn the aerial through 90° from the position shown.

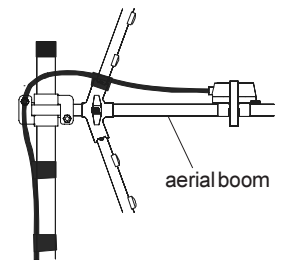
This aerial will provide good reception in many locations when mounted in a clear outdoor position. However reception in weaker signal areas may require the use of a higher gain aerial and/or a taller mast.



mast clamp

### Recommended cable routes

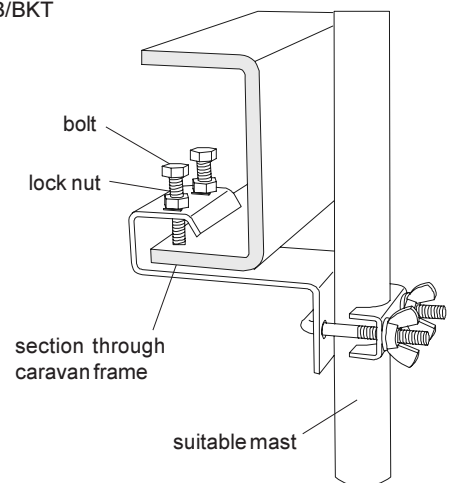
For best aerial performance cable should be routed as shown and secured with pvc tape (not supplied). Cable should not touch aerial booms.



aerial boom

## 4. Securing a mast (not supplied) to the caravan

A-frame option C/B/BKT  
(not supplied)



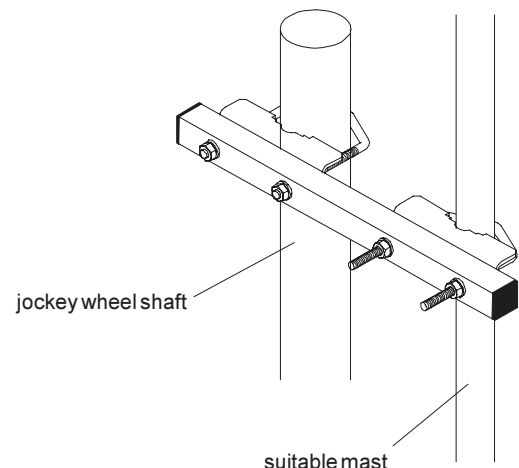
bolt

lock nut

section through caravan frame

suitable mast

Jockey wheel option C/B/BKT2  
(not supplied)



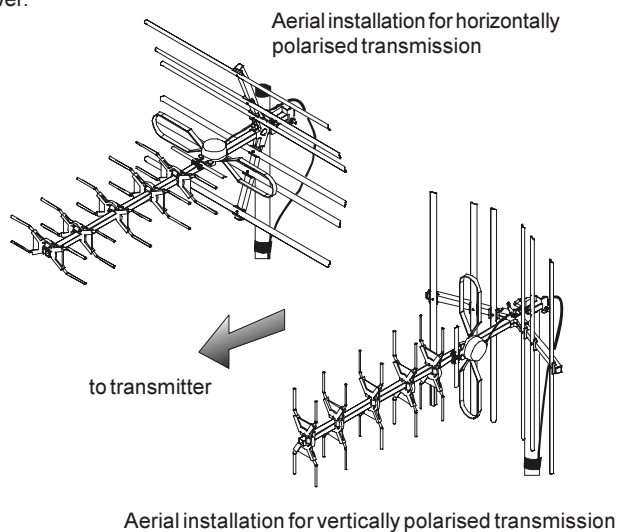
jockey wheel shaft

suitable mast

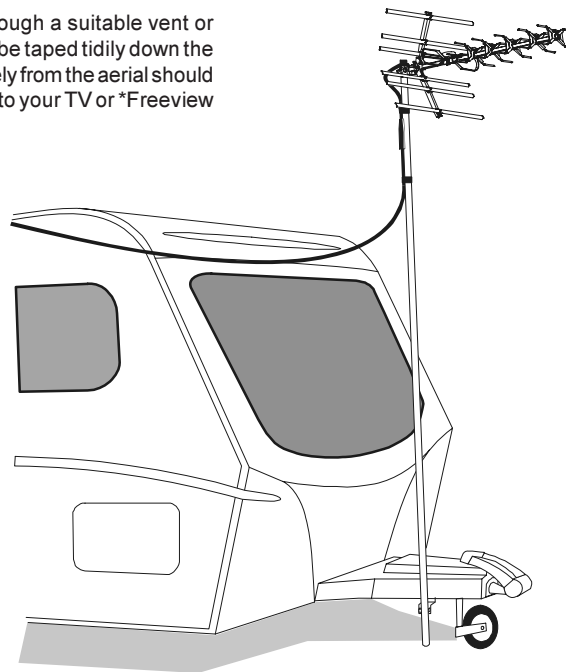
## 5. Completing the installation

Choose horizontal or vertical polarisation (see diagrams) to suit the local transmitter. Point the aerial towards the transmitter. If in doubt look at aerials on neighbouring caravans or buildings, or consult one of the sources of transmitter information (see below).

Fit the IEC coaxial plug supplied (see below) and run the cable into the caravan through a suitable vent or opening, avoiding sharp bends. The cable, which can be shortened if desired, should be taped tidily down the mast as shown using PVC insulating tape (not supplied). Leaving the cable to dangle freely from the aerial should be avoided since it may lead to broken connections or water ingress. Plug the cable into your TV or \*Freeview receiver.



Aerial lead and downlead taped to mast above and below cable joint



## 6. Reception hints

For optimum reception position the caravan on high ground with a clear view toward the transmitter site, avoiding trees. Wherever possible arrange that the aerial has to point away from the caravan body to 'see' the transmitter. Adjust the aerial by slackening the wing nuts on the lower mast clamp and rotating the whole mast for best reception. If using a \*Freeview receiver use its signal quality display as an indicator to determine the best aerial pointing direction. Remember to tighten all clamps and fixings once adjustment is complete.

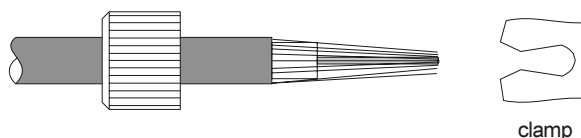
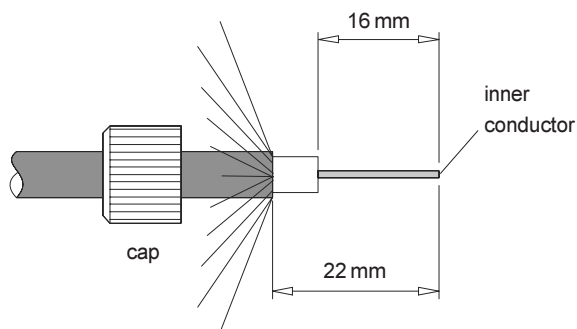
If you have moved the caravan from an area served by a different transmitter your TV set and/or \*Freeview receiver will almost certainly need to be retuned (refer to their instruction manuals) and the polarization of the aerial may need to be changed. Refer to the reception advice services listed on below for transmitter details for your new area. Some areas are served by two or more transmitters and it may be necessary to experiment to find which one gives the best results.

\* Freeview is a registered trademark of DTV Services P.L.C.

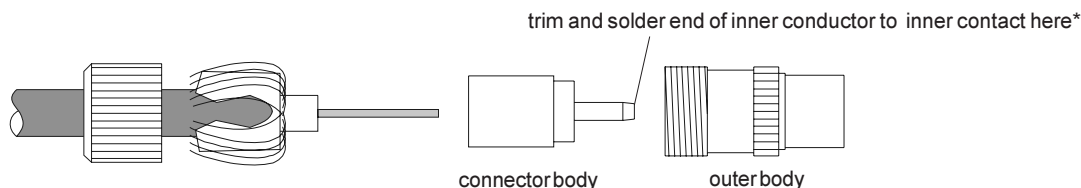
## 7. Fitting the coaxial plug

a) First place the cap over cable. Strip away cable outer sheath. Take great care not to cut through the braid wires. Strip away insulation to reveal inner conductor.

b) Bundle the braid wires together and slide clamp over cable.



c) Dress the braid wires evenly over clamp. Push cable and clamp into connector body. \*Ideally the inner conductor should be soldered to the contact pin. Screw cap and outer body securely together. This completes fitting the plug.



Further advice may be downloaded from:  
[www.blake-uk.com/downloads](http://www.blake-uk.com/downloads) on the following:

- reception problems
- distributing TV signals around the home
- general recommendations

**Reception Advice Services**  
 BBC Reception Advice 08700 100123  
 e-mail: [reception@bbc.co.uk](mailto:reception@bbc.co.uk)  
 web: [www.bbc.co.uk/reception](http://www.bbc.co.uk/reception)  
 Ofcom – TV reception and interference  
<http://www.ofcom.org.uk/consumer advice/tv/reception>