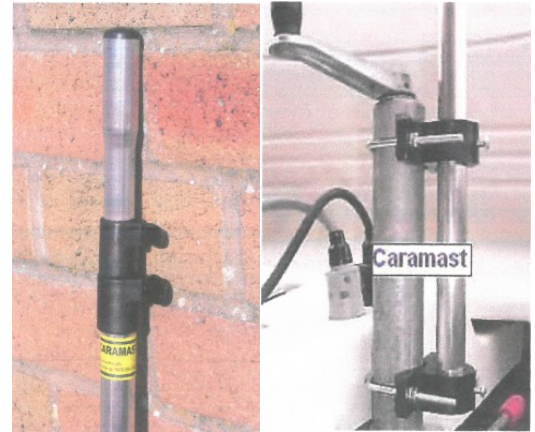
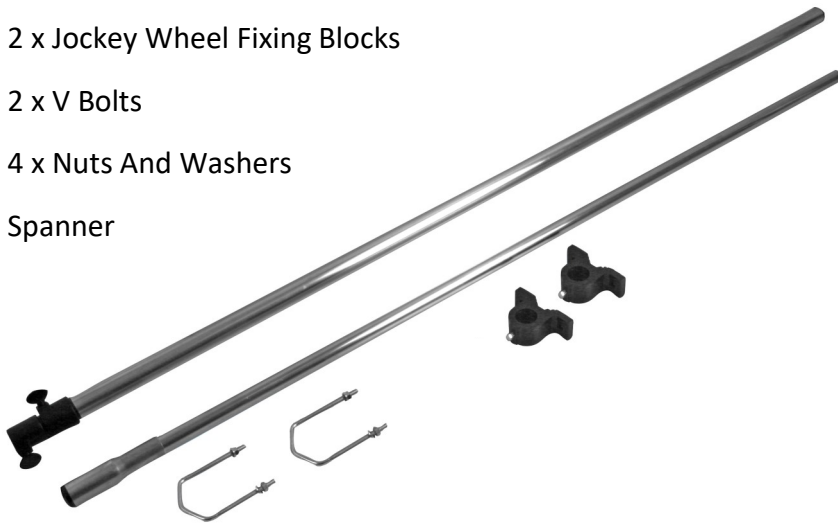


## CARAMAST-Telescopic Extendable Mast

### Kit Contents:

- 3 x Telescopic Aluminum Mast with 2 Mast Adjusters (pre-fitted)
- 2 x Jockey Wheel Fixing Blocks
- 2 x V Bolts
- 4 x Nuts And Washers
- Spanner



### Assembly Instructions:

1. Fit the two V bolts to the jockey wheel blocks, using the nuts and washers to secure them.
2. Hand tighten with the spanner provided, ensuring NOT TO OVERTIGHTEN.
3. Fit the aerial (not provided) to the top section of the mast and secure in place.
4. Now lower the mast assembly through the two jockey wheel blocks.
5. Adjust the aerial direction for the best signal reception and tighten the thumb screws ensuring the mast is upright.

### Related Products:



**Compact Log-Periodic Aerials**  
Available in 22 (BLA-LP22T), 28 (BLA-LP28T) and 56 (BLA-LP36T) element.



**DMCMINI(CARAVAN)** - DMC Mini Caravan Aerial & Cable Kit



**CABLE(CARAVAN)** - 10m White Cable with F-plug & Coax Plug



**PROCON01** - F Male Twist-On Connector with O-Ring



**PROCON32** - IEC Male Alloy Coax Plug