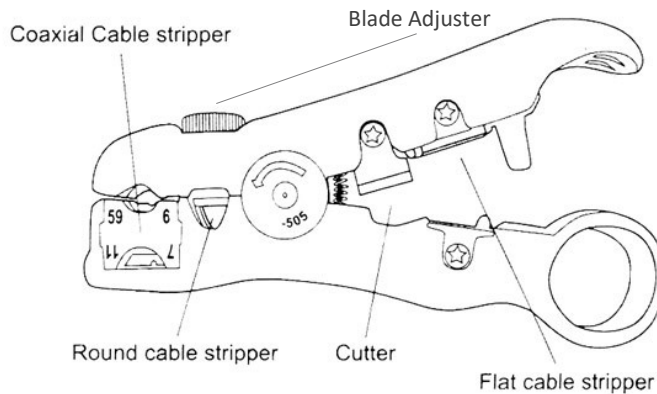


PROSTRIP01 Rotary Cable Stripper and Cutter



Warning:- Sharp blades, please ensure you keep your fingers away from the blades and cutter area at all times.

Coaxial Cable Stripper

Reversible cassette: one side is for RG59/ RG6, other side for RG7/ RG11.

Tip: Spend time on a spare piece of cable setting the tool up.

1. Insert the cable until it aligns with the cable guide.
2. Rotate the tool 2-3 times using the finger ring. If the tool is set-up correctly you will hear two clicks as the outer and inner sheathes of cable are cut.
3. Open the jaws and remove the cable.
4. Pull away the outer jacket and dielectric to expose the inner conductor.

Round Cable Stripper

For UTP, STP or networking cable.

1. Insert the cable into the hole shown and rotate 1-3 times anti-clockwise.
2. Open the jaws and remove the outer jacket.
3. The black colour adjusting knob adjusts the blade. Turn clockwise to increase the blade's depth and anti-clockwise to decrease.

Flat Cable Stripper

For stripping flat cables, including telephone cables.

1. Insert the cable between the stripper blades.
 - a. Insert 4P/6P cable into the two-bladed part of the tool as indicated until it touches the stop guide.
 - b. Insert 8P cable into the two-bladed part of the tool and let it extend a little past the lower cut blade.
2. Then squeeze handles (cable must be kept perpendicular) and pull from tool.

Cable Cutter

For cutting coaxial cable, round networking cable or flat telephone cable, place the cable in position and then squeeze the handles.