

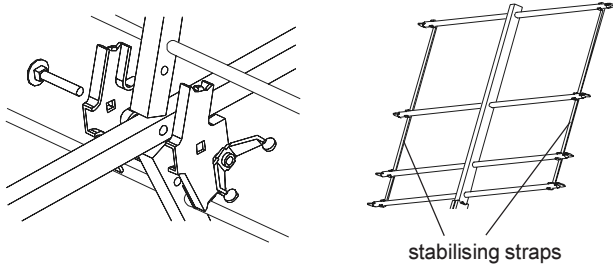
Assembly and fitting guide

DMX05WB



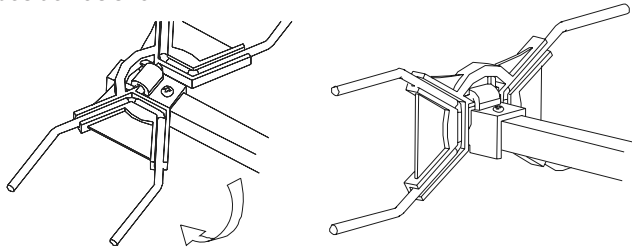
1. Fit reflector sections to aerial boom

Loosen wing nut but do not remove. Insert each reflector section as shown. Ensure locating lugs on clamp fit into mating holes in booms. Securely tighten wing nut. Fit plastic stabilising straps to reflectors.



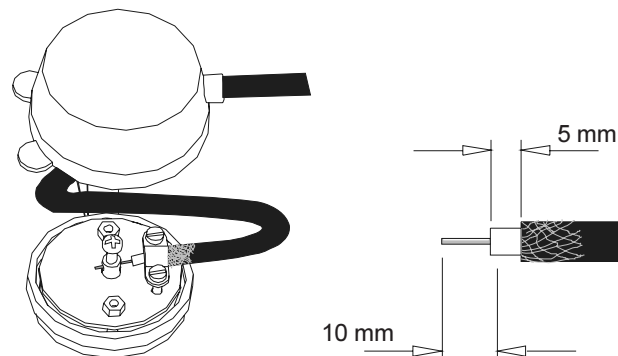
2. Position elements

Rotate and snap the X-shaped director elements into a vertical position as shown.



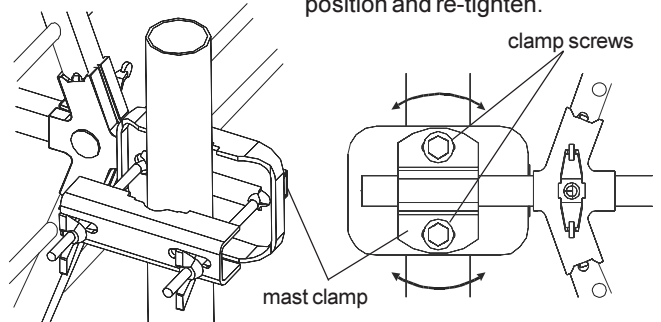
3. Fit coaxial cable

Remove cover from terminal box and push cable through aperture. Do not enlarge hole as this may allow water ingress. Trim off approximately 15 mm of the outer cable sheath with a craft knife or similar to expose braid (and foil if double screened). Fold braid back over sheath (cut away foil flush to outer sheath) to expose plastic dielectric. Cut away dielectric to leave 10 mm of the centre copper wire exposed. Loosen clamp screws, slide cable under clamp and push centre wire through hole in terminal post. Braid should be positioned underneath clamp but not beyond it. Do not over-tighten terminal screw. Tighten braid clamp screws, ease cap down cable and fit securely onto terminal box.



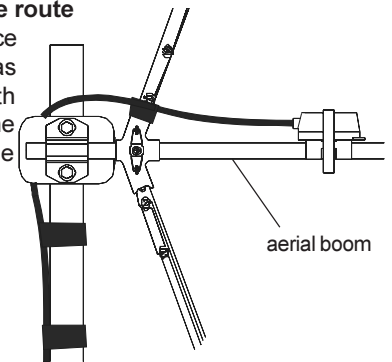
4. Fit aerial to a mast

Slide mast clamp over a suitable mast 1¼" – 1½" (32-38 mm) diameter and tighten wing nuts. The diagrams show the aerial horizontally polarised, for vertical polarisation rotate aerial through 90° in mast clamp. To tilt aerial, loosen clamp screws, set position and re-tighten.



5. Recommended cable route

For best aerial performance cable should be routed as shown and secured with pvctape (not supplied). The cable should not touch the aerial boom.



Kit Contents

- | | |
|------------------------------|-------------------------|
| 1 - Aerial boom. | 1 - Mast clamp. |
| 1 - Dipole and cap. | 2 - Reflector sections. |
| 4 - Plastic reflector straps | |

Safety

Working at height - carry out work outdoors at height only if you are competent in the use of ladders and related access equipment. Always work safely within your own limitations, ensuring that all equipment used is appropriate and is in good condition.

Further advice may be downloaded from:
www.blake-uk.com/downloads on the following:

- reception problems
- fitting coaxial connectors
- distributing TV signals around the home
- general recommendations

Reception Advice Services

BBC Reception Advice 08700 100123

e-mail: reception@bbc.co.uk

web: www.bbc.co.uk/reception

Ofcom Engineering Information

web: www.ofcom.org.uk/static/reception_advice/index.asp

Product reference	Gain (dB)	Directivity (DEG)	Return loss (dB)	Cross polar (dB)	Feeder pickup rejection (dB)	Approximate length (m)
DMX05WB	11.4	Max. = ± 16.5	-29.00	-36.40	-31.50	0.8