

Assembly & fitting guide

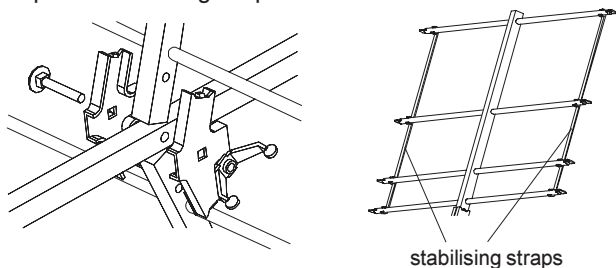
Aerial with 'F' Balun

DMX05WB/F



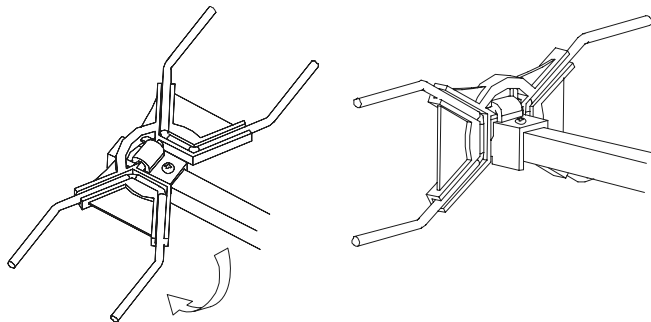
1. Fit reflector sections to aerial boom

Loosen the wing nut but do not remove. Insert each reflector section as shown. Ensure the locating lugs on the clamp fit into the mating holes in the booms. Securely tighten the wing nut. Fit the plastic stabilising straps to the reflectors.



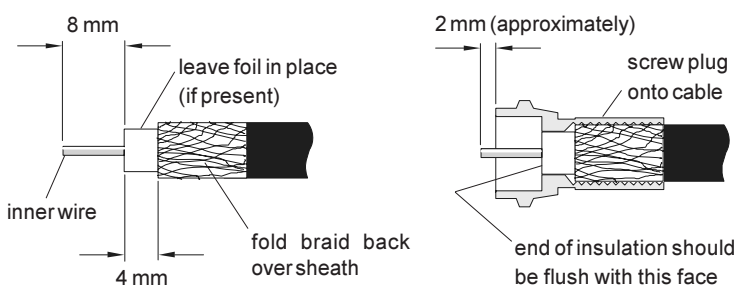
2. Position elements

Rotate and snap the X-shaped director elements into a vertical position as shown.



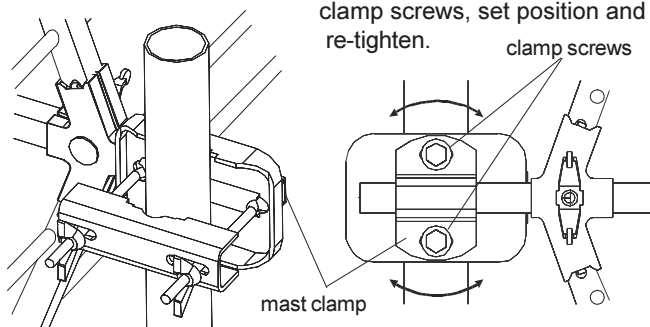
3. Fit coaxial cable and screw-on 'F' plug

Push the cable through the waterproofing sleeve before fitting the plug. Prepare the cable end and fit the screw-on 'F' plug as shown below. (The inner wire of the cable should extend slightly beyond the end of the plug.) Offer up the plug to the socket on the aerial housing and tighten gently (11 mm spanner). **Do not leave the plug finger-tight as this may lead to unreliable reception.** Slide the waterproofing sleeve into position over the lip on the aerial housing.



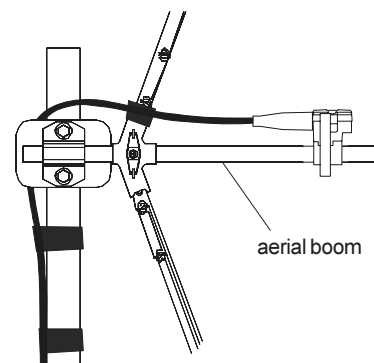
4. Fit aerial to a mast

Slide the mast clamp over a suitable mast 1¼" – 1½" (32-38 mm) diameter and tighten the wing nuts. The diagrams show the aerial horizontally polarised, for vertical polarisation rotate the aerial through 90° in the mast clamp. To tilt the aerial, loosen the clamp screws, set position and re-tighten.



5. Recommended cable route

For best aerial performance the cable should be routed as shown and secured with pvc tape (not supplied). The cable should not touch the aerial boom.



Kit Contents

- 1 - Aerial boom.
- 1 - Dipole assembly.
- 4 - Plastic reflector straps.
- 1 - Mast clamp.
- 2 - Reflector sections.
- 1 - F-type plug.

Safety

Working at height - carry out work outdoors at height only if you are competent in the use of ladders and related access equipment. Always work safely within your own limitations, ensuring that all equipment used is appropriate and is in good condition.

Further advice may be downloaded from: www.blake-uk.com/downloads on the following:

- reception problems
- fitting coaxial connectors
- distributing TV signals around the home
- general recommendations

Reception Advice Services

BBC Reception Advice 08700 100123
 e-mail: reception@bbc.co.uk
 web: www.bbc.co.uk/reception
 Ofcom Engineering Information
 web: www.ofcom.org.uk/static/reception_advice/index.asp

Product reference	Benchmark status	Gain (dB)	Directivity (DEG)	Return loss (dB)	Cross polar (dB)	Feeder pickup rejection (dB)	Approximate length (m)
DMX05WB/F	CAI Standard 2	11.4	Max. = ± 16.5	-29.00	-36.40	-31.50	0.8
		Min. exceeds standard 2	Min. exceeds standard 2	Min. exceeds standard 2	Min. exceeds standard 2	Min. exceeds standard 2	