

Fitting guide SR18WB

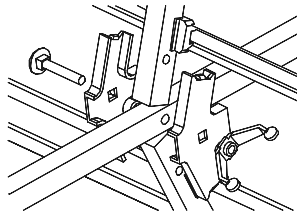


digital



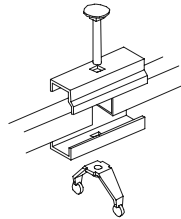
1. Fit reflector sections to boom

Loosen wing nut but do not remove. Insert each reflector section as shown. Ensure locating lugs on clamp fit into mating holes in booms. Securely tighten wing nut.



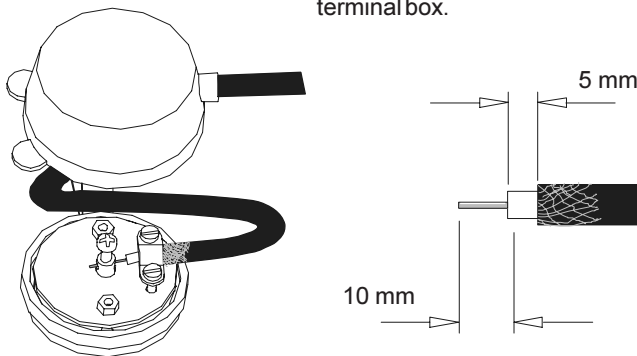
2. Main mast/boom clamp

Join booms as shown. Ensure boom ends touch bolt and tighten wingnut securely. Note orientation of booms - ends without plastic plugs to be clamped together.



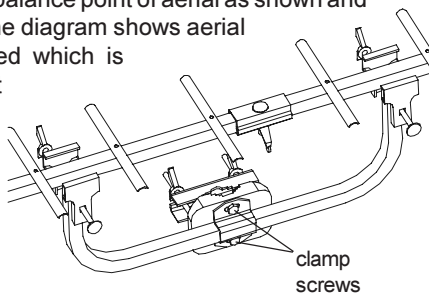
3. Fit coaxial cable

Remove cover from terminal box and push cable through aperture. Do not enlarge hole as this may allow water ingress. Trim off approximately 15 mm of the outer cable sheath with a craft knife or similar to expose braid (and foil if double screened). Fold braid back over sheath (cut away foil flush to outer sheath) to expose plastic dielectric. Cut away dielectric to leave 10 mm of the centre copper wire exposed. Loosen clamp screws, slide cable under clamp and push centre wire through hole in terminal post. Braid should be positioned underneath clamp but not beyond it. Do not over tighten-terminal screw. Tighten braid clamp screws, ease cap down cable and fit securely onto terminal box.



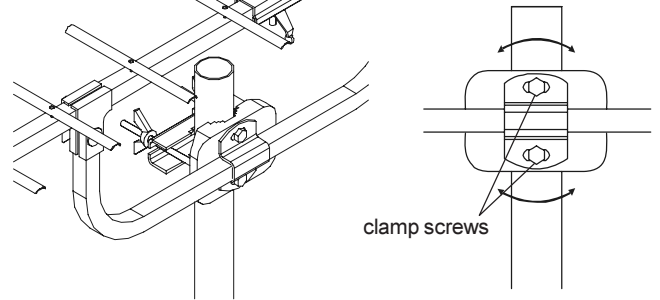
4. Fit mounting cradle to aerial

Loosen and spread clamps on pre-assembled cradle. Position cradle on booms at balance point of aerial as shown and tighten wing nuts (the diagram shows aerial horizontally polarised which is suitable for most applications). For vertical polarisation loosen the clamp screws, rotate aerial assembly through 90° and re-tighten.



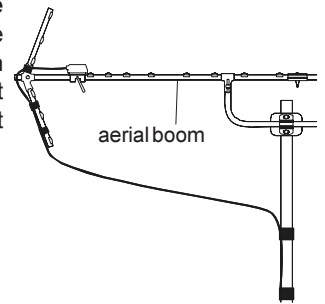
5. Fit aerial to a mast

Slide mast clamp over a suitable mast 1¼" – 1½" (32-38 mm) diameter and tighten wing nuts. To tilt aerial loosen clamp screws, set position and re-tighten.



6. Recommended cable route

For best aerial performance the cable should be routed as shown and secured with pvc tape (not supplied). The cable should not touch the aerial boom.



Kit Contents

- 1 - Aerial boom rear with dipole and cap.
- 1 - Aerial boom front.
- 1 - Boom coupler (fitted).
- 1 - Reflector 'arrow' plate clamp (fitted).
- 2 - Reflector sections.
- 1 - Cradle with 'T' clamps (fitted).

Safety

Working at height - carry out work outdoors at height only if you are competent in the use of ladders and related access equipment. Always work safely within your own limitations, ensuring that all equipment used is appropriate and is in good condition.

Further advice may be downloaded from:
www.blake-uk.com/instruction_leaflets on the following:

- reception problems
- fitting coaxial connectors
- distributing TV signals around the home
- general recommendations

Reception Advice Services

BBC Reception Advice 08700 100123

e-mail: reception@bbc.co.uk

web: www.bbc.co.uk/reception

Ofcom Engineering Information

web: www.ofcom.org.uk/static/reception_advice/index.asp

Product reference	Benchmark status	Gain (dB)	Directivity (DEG)	Return loss (dB)	Cross polar (dB)	Feeder pickup rejection (dB)	Approximate length (m)
SR18WB	CAI Standard 3	12.6	Max. = ± 15	-15.00	-41.39	-37.96	1.7
		Min. exceeds standard 3	Min. exceeds standard 3	Min. exceeds standard 3	Min. exceeds standard 3	Min. exceeds standard 3	